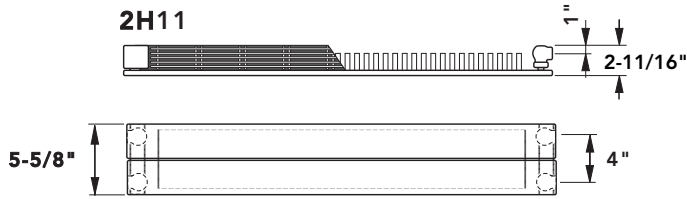
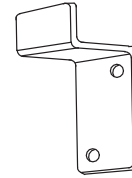


DECOR 2H11 BASEBOARD SERIES RADIATOR

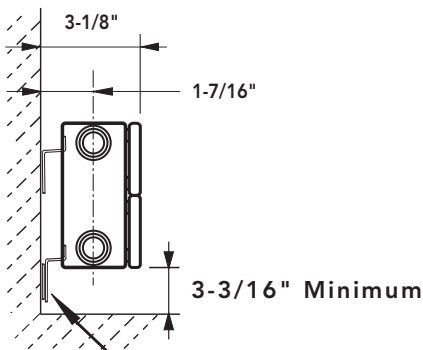
2H Baseboard model



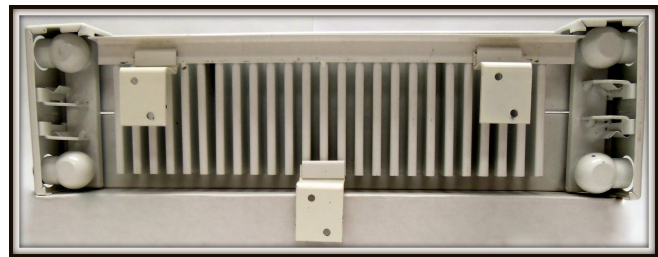
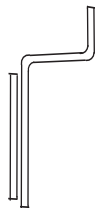
BBCB Bracket



BBWB Bracket



BBWB shown with foam spacer typical on all lower bracket locations.



Rear view of typical upper and lower bracket (BBCB + BBWB) locations.

- * Upper brackets should be fastened to studs or blocking when installed on frame construction.
- * Upper brackets should be installed at a recommended minimum of 32" intervals.
- * Lower brackets with foam backer used for bottom of panel standoff should be spaced between upper brackets as required.

Suggested Bracket quantity per model

MODEL	2H11060	2H11090	2H11120	2H11140	2H11160	2H11180	2H11220	2H11240	2H11300
LENGTH	23-5/8"	35-7/16"	47-1/4"	55-1/8"	63"	70-7/8"	86-5/8"	94-1/2"	118-1/8"
BBWB	2	2	2	3	3	3	4	4	4
BBWB with foam	1	1	1	2	2	2	3	3	3
Total BBWB	3	3	3	5	5	5	7	7	7

* Each BBWB requires a BBCB for every mounting location.